

NOVA Compact Laser Marking System

Affordable, Powerful Laser Marking

The NOVA System offers users an affordable easy-to-use, turn-key laser marking system without sacrificing features or power.

The NOVA Compact is a desktop safety workstation featuring our NOVA laser marker. The system includes a power Z axis for laser focus control, built in focus finder, t-slot bed plate work-surface and a full panel operator safety viewing window.

The system uses a standard PC/Laptop USB connection to interface with our Ulyxe Editor software for all marking parameters as well as monitoring important laser functions and status.

Features of the NOVA System:

- ▶ Affordable, easy to use, maintenance free
- ▶ Compact desktop footprint with USB connectivity to laptop or desktop PC
- ▶ Power Z-axis for focal adjustment with built in red aiming beam focus finder
- ▶ Ideal for marking all metals, painted/anodized materials and most plastics
- ▶ Mark text, graphics, barcodes, 2D and datamatrix codes, UID codes and more



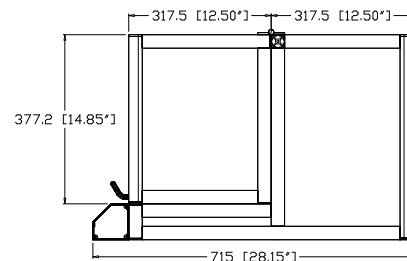
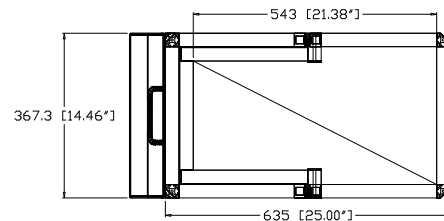
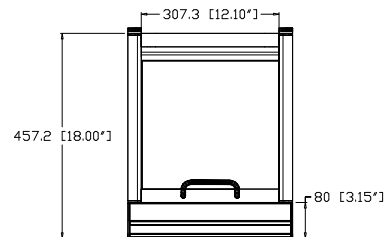
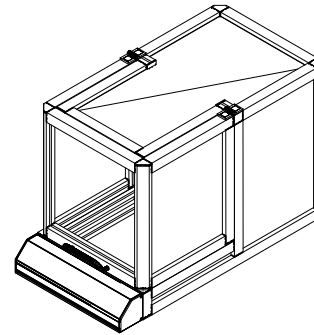
Technical Data	
Input Voltage	115 VAC
System Dimensions	14.5"W x 21.4"L x 22.9"H
Max Part Size	12"W x 12"L x 6"H
Marking Window	110mm x 110mm
PC Connection	USB
Laser Max Power	6 Watt +/- 5%
Laser Wavelength	1064nm
Pulse Width	12 ns (@20 kHz)
Frequency Range	10 - 200 kHz
Aiming Beam	(2) Class 2M Red Diode 635nm
Cooling	Air Cooled
Warranty	24 Month / Unlimited Hours

Accessories
Fume/Dust Extraction Units
Custom Software Solutions

NOVA Compact Workstation is a class 1 laser product meeting all safety requirements in compliance with CFR 1040. System includes proper interlocks, indicators, switches, etc.

Laser interaction with organic or inorganic material can cause TOXIC FUMES / PARTICLES.

Workstation Dimensions (laser not shown)



Ostling follows a policy of continuous product improvement. Specifications are subject to change without notice.

Ostling Technologies • 931 E Water St., Chillicothe, OH 45601
 Toll Free: 877-318-9562 • Fax: 740-779-9910
 sales@permanentmarking.com • www.permanentmarking.com