

## MagicPin

### Overview

Our MagicPin 100T with the UMC Box controller is a powerful, flexible dot peen marking system with the most affordable price point in the industry. This compact, low cost system combines with your windows XP/2000 laptop or PC to run our feature packed easy to use software. Text, serial numbers, graphics and 2D barcodes can all be marked with the MagicPin 100T dot peen system. A T-Slot bed plate and manual height adjustment allows for easy setup and operation.



### Features

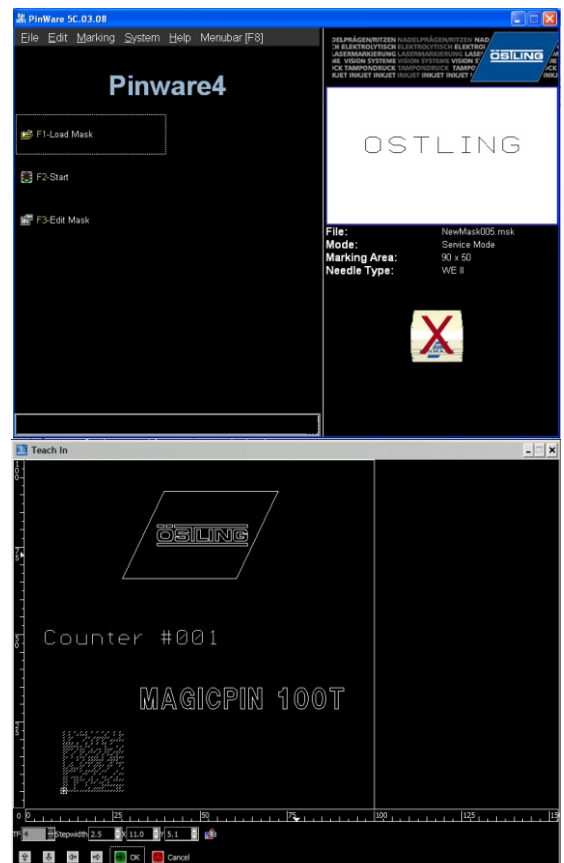
- Programmable needle speed control
- 4" X 4" marking window
- Marks text, serial/date codes, graphics, and 2D codes
- Manual height adjustment/T-slot work surface
- Foot switch start included
- Powerful software control

### Software

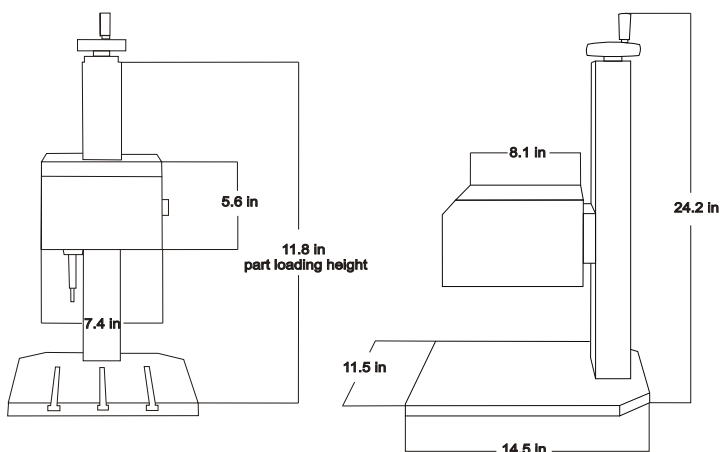
With our Pinware software, you can easily create and mark text, serial/date codes, graphics and 2D barcodes. This feature packed Windows XP/2000 software controls the MagicPin dot peen marking system using your laptop or desktop PC. With an intuitive menu-driven interface, a "what you see is what you get" display, and "teach-in" alignment feature you can create new part marking programs in seconds. Take our software for a test drive; visit the downloads section at our website [www.permanentmarking.com](http://www.permanentmarking.com) today to see how easy it is!

With the Pinware software creating a new marking file is simple. Just type in the text, define placement and orientation, press the preview button to confirm the mark, and press start!

UMC Box



# MagicPin Specifications



## TECHNICAL DATA

Head Dimensions	7.4" x 8.1" x 5.6"
Marking Area	4.0" x 4.0"
Weight	9.9 lbs
Control Unit	UMCbox
Max. Marked Part Height	11.8 in. (with WE2 needle)
Resolution	0.0025 in. per motor step
Available Needles	WE2 and WP2
Marking Speed	5 characters per second
Compressed Air	6 bar (6 mm connector)
Power Supply	via control unit (110 - 230 V AC, 50/60 Hz)

# UMC Box Specifications



## TECHNICAL DATA

Components	Integrated MC stepper motor control
User Interface	Windows/Linux software or serial commands
Display	4 Status LEDs
Memory	Integrated memory for marking programs
Motor Drive	High-efficiency 2-axis motor control
Dimensions	12.2" X 2.9" X 6.9"
Weight	5.5 lbs
Output	8 digital, 24V =
Input	8 digital, 24V =
Interfaces	RS232/RS485: Communication protocol, 24V I/O: Start, e-stop

## SOFTWARE - PINWARE 4

Program Function	Intuitive, Menu Driven
Character Height	Programmable from 0.1 to 99 mm
Character Width	Programmable in %
Positioning	X Y Coordinates or Teach In
Additional Functions	2D code, date,time, shift, user-defined, circular

# Needles

WEII



### Standard Needle

Frequency	200 Hz
Air Pressure	4-6 bar
Piston Diameter	14 mm
Maximum Stroke	4 mm
Needle Diameter	3 mm

WP2



### Standard Needle

Frequency	50-200 Hz
Air Pressure	3-6 bar
Piston Diameter	10 mm
Maximum Stroke	10 mm
Needle Diameter	3 mm



Rev. 2.00/2008.01.07

**Ostling Technologies**

P.O. Box 917

Chillicothe, Ohio 45601

Phone: 740-779-9918 Fax: 740-779-9910

TollFree: 1-877-318-9562

email: sales@permanentmarking.com

<http://www.permanentmarking.com>