

LasOnAll Laser Marker

Powerful, Flexible, Maintenance-Free Laser Marker

The lasonall series of marking lasers offers users the latest technology in end-pumped solid state technology. The lasonall series is available in a 10, 20 or 27 watt power output rating.

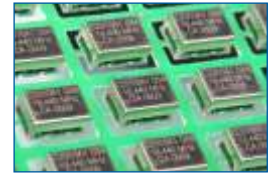
Superior beam quality, high power stability and a wide frequency range make the lasonall laser an ideal fit for many different material processing applications.

The Lasonall marking laser is air cooled, solid state and maintenance free. This laser can be utilized in any of our laser workstations and its compact footprint also makes it ideal for integration applications.

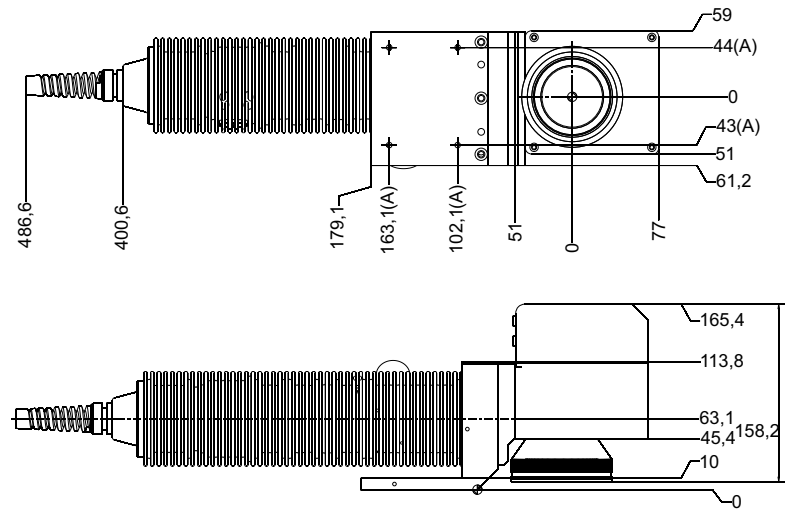
Our Creator Pro software allows users to mark text, graphics, barcodes, 2D codes and UID codes. Creator Pro can also control up to 4 external axes. Built in VB Script/Active X control allows for special software solutions customized to your unique application.

Features of the LasOnAll system:

- ▶ Available in 10, 20 and 27 watt configuration
- ▶ Air cooled, maintenance free design (no consumables, lamps or filters)
- ▶ Marks all metals, painted or anodized materials and most plastics
- ▶ Powerful software control:
 - 4 Axis control
 - VB scripting
 - Active X capabilities
- ▶ 2 Year Warranty

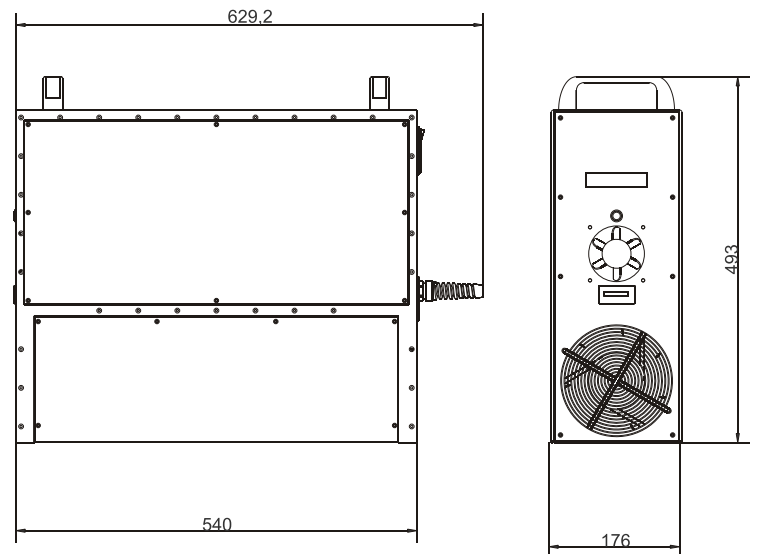


Technical Data	
Input Voltage	115 VAC
Laser Power	10, 20 or 27 Watt +/- 10%
Pulse Width	10W - 12ns / 20W - 6ns / 27W - 13ns
Frequency Range	10W - 10-200kHz / 20W - 10-300kHz 27W - 20-100kHz
Laser Wavelength	1064nm
Aiming Beam	Class 2M Red Diode 635nm
Standard Lens Size	160mm / 110 x 110mm window
Warranty	24 Month / Unlimited Hours
Cooling	Air Cooled



Full size drawings available upon request

Accessories
Integration Packages / Laser Workstations
Rotary Device
Optional Lenses - 63mm/100mm/254mm/330mm
Custom Software Solutions



Lasonall is a class 4 laser product when not provided with an Ostling certified Class 1 safety enclosure.

This class 4 laser component is offered to qualified manufacturers who shall provide interlocks, indicators and other appropriate safety features in full compliance with CFR1040 and/or other applicable national and local regulations.

Laser interaction with organic or inorganic material can cause TOXIC FUMES / PARTICLES.



Ostling follows a policy of continuous product improvement. Specifications are subject to change without notice.

Ostling Technologies • 931 E Water St., Chillicothe, OH 45601

Toll Free: 877-318-9562 • Fax: 740-779-9910

sales@permanentmarking.com • www.permanentmarking.com