



solutions for industrial  
marking applications



*Lasonall*\*

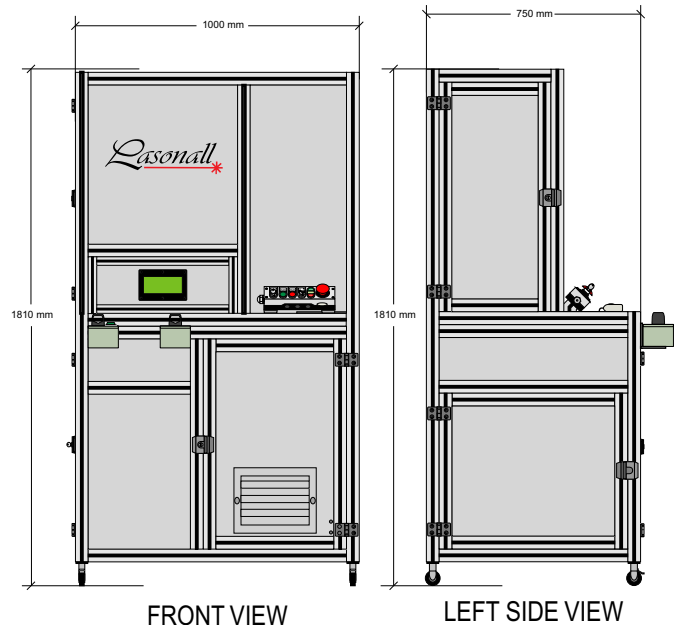
RT500 - Two Station 500mm Rotary Table  
Laser marking workstation

# RT500 - Two Station Rotary Table Laser marking workstation



## System Includes

- Full Size Class 1 laser marking workstation  
Enclosure measuring 1000mm L x 750mm W x 1810mm H
- Two-station 500mm rotary table  
Fast index speed for increased throughput
- Two-hand anti-tie down switches  
For safety, both start buttons must be pushed simultaneously
- Safety Interlocking  
Fully integrated operator safety interlocking
- Choice of focal height adjustment  
Manual, power or programmable automatic Z-Axis
- Dial plate mounting  
Universal mounting hole configuration provided
- Operator control pendant  
With keylock, shutter control, start/stop
- Illuminated Enclosure  
Inside enclosure illuminated for operator
- Single-plug power supply  
One 115V plug powers the entire unit
- Operation and safety manuals  
Printed and electronic media

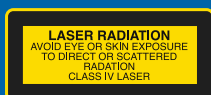
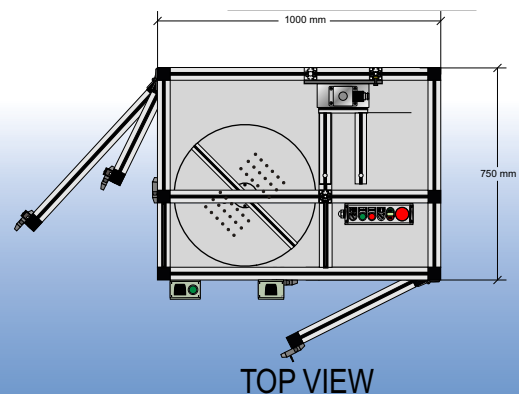


## Options

- Manual Z-Axis - Position indicator
  - Power Z-Axis - Electrical slide
  - Automatic Z-Axis - Programmable focus control
  - Rotation axis for 360° marking
  - Automatic part loading door
  - Pick and Place devices
  - PC and Monitor \*
- \*All Lasonall marking systems include PC with Lasonall Creator Pro software installed and DSP / IO communication cards configured. OEM lasers excepted.

## Accessories

- Startup / Training
- Custom fixturing
- Aerpro fume extraction
- Powersure AC line conditioner
- External beam focus finder
- Laser Safety Glasses



Ostling follows a policy of continuous product improvement.  
Specifications are subject to change without notice.

Rev. 2.02/2008.01.23

**Ostling Technologies**  
931 East Water Street  
Chillicothe, Ohio 45601  
Phone: 740-779-9918 Fax: 740-779-9910  
email: sales@permanentmarking.com